

**4000-7000 lbs (2-3.5 ton)
H3 IC Pneumatic Tire Forklift
CPCD20-35 & CP(Q)YD20-35**



H₃ series

HIGH EFFICIENCY
ENERGY SAVING

HELI
LIFTING THE FUTURE

TOP 10 FORKLIFT MANUFACTURER
IN THE WORLD

Heli H3 Series Features

Improved performance, superior quality



> Ergonomics

- > Vibration isolators separate the operator compartment from the main frame and the engine/transmission which absorb the truck's vibration for increased operator comfort
- > Engine performance and repositioned hydraulic pump offer quieter and smoother operation and less noise
- > Improved hydraulic control functions also reduce noise and increase performance

> Operator Comfort - Visibility

- > Operator compartment has been enhanced by creating more foot and leg room with plenty of head room under the overhead guard
- > Visibility has been improved with narrower mast channels and more open overhead guard
- > Higher contrast LED display makes it easier to see in all lighting conditions
- > Comfortable suspension seat is standard with full adjustment for different operators
- > Low, wide step and grab handle make for easy entry to operator's compartment
- > Controls and park brake are within easy reach to reduce operator strain

> Safety

- > All Heli forklifts for North America meet ANSI B56.1 Safety Standard for Powered Industrial Trucks as well as meeting requirements for CE approval
- > All Heli forklifts come standard with Operator Presence System
- > Optional rear grab handle and horn button allows operator to safely drive in reverse
- > Strobes, Beacons or Blue Lights and Alarms are all available as required



> Increased Productivity

- > Smaller turning radius and hydraulic power steering makes for tighter turns and easier steering operation
- > Reliable powershift transmission relieves operator from constantly shifting transmission
- > H3 series hydraulic performance has been enhanced for maximum productivity
- > Ergonomically designed operator's compartment enhances operator productivity, as well as providing safety and comfort

> Improved Performance

- > All aluminum radiator increases air flow and dissipates heat more efficiently
- > Smaller steering wheel with fewer turns lock-to-lock for quicker turns
- > 35% faster lifting speeds over previous generations
Lifting cylinders are damped to reduce noise and provide smoother operation
- > Heavy duty powertrain offers exceptional performance in all applications

> Serviceability

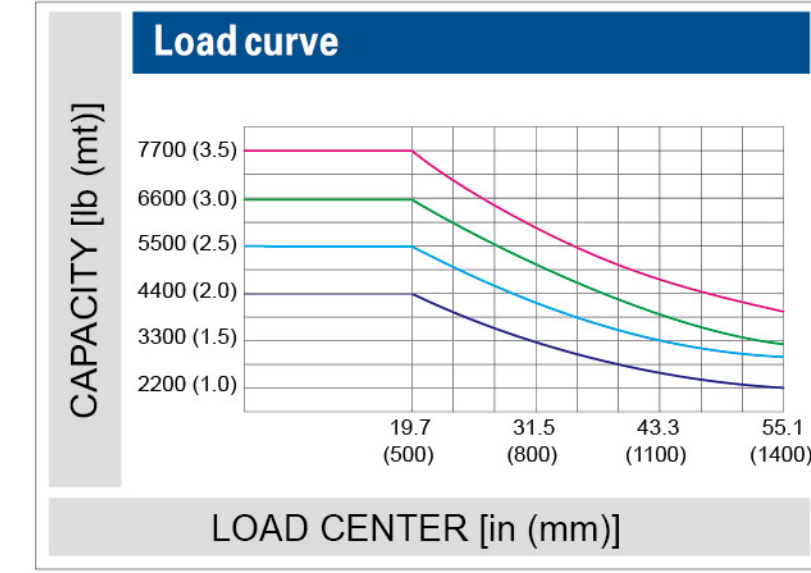
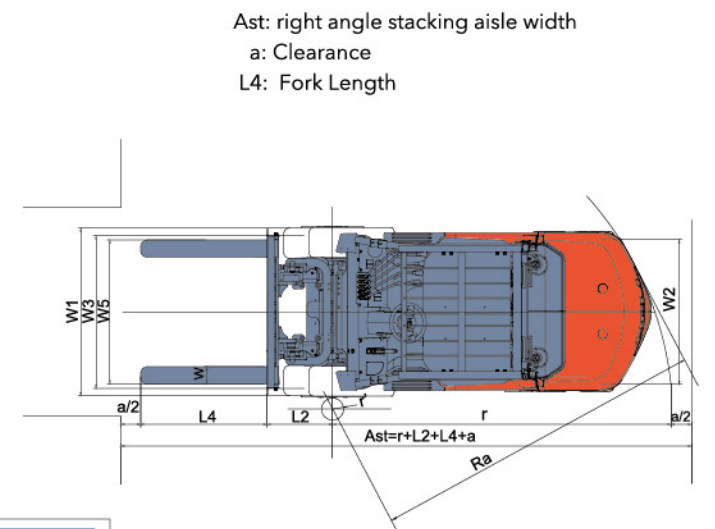
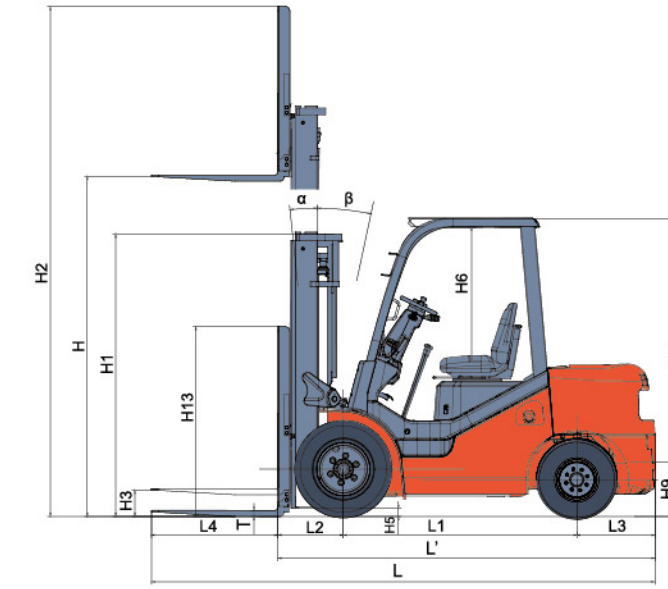
- > Hood opens to an 80 degree angle and floor board is removable for easier access to all important chassis components
- > Electrical system, wiring, and hydraulic hoses are convenient and logically laid out with access from above and below
- > All grease points are accessible, including cast steel axle
- > Lubrication chart is located on front of operator compartment to highlight essential lubrication requirements



CPQC20-35 & CP(Q)YD20-35



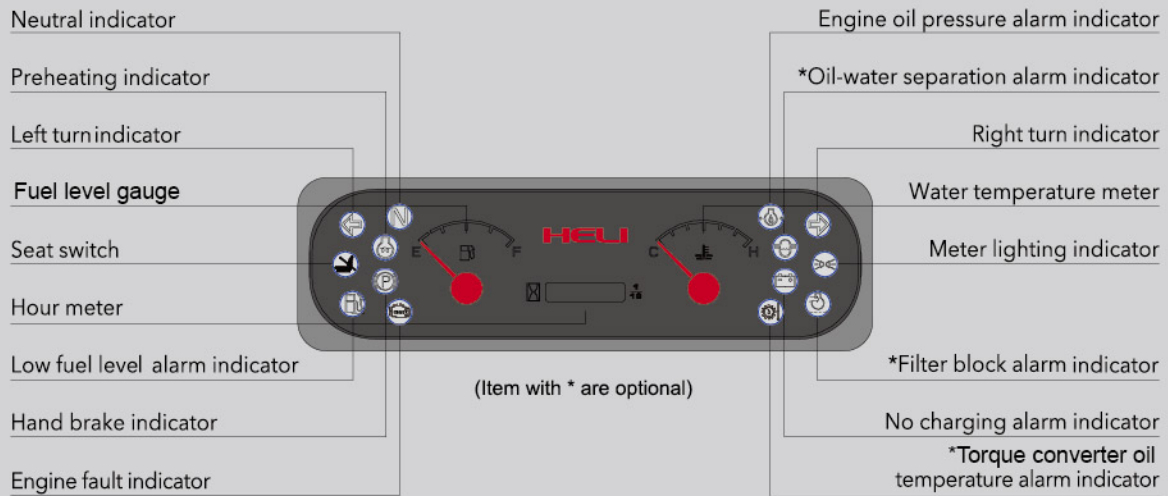
Manufacturer and technical parameters													
Characteristic													
1.01	Manufacturer	HELI											
1.02	Model	CPCD20/ CP(Q)YD20		CPCD25/ CP(Q)YD25		CPCD30/ CP(Q)YD30		CPCD35/ CP(Q)YD35					
1.03	Rated Capacity	lbs	kg	4000	2000	5000	2500	6000	3000	7000	3500		
1.04	Load Center	in	mm	24	500	24	500	24	500	24	500		
1.05	Operation Type	Seat-type											
Dimension Parameter													
2.01	Max.Lifting Height(without backrest)	H	in	mm	118.2	3000	118.2	3000	118.2	3000	118.2	3000	
2.02	Overall Lowered Height	H1	in	mm	78.8	2000	78.8	2000	81.4	2065	85.9	2180	
2.03	Max.Lifting Height(with backrest)	H2	in	mm	158.8	4030	158.8	4030	167.3	4245	166.9	4235	
2.04	Free Lifting Height	H3	in	mm	6.5	165	6.5	165	6.3	160	6.7	170	
2.05	Overall Height(to overhead guard)	H4	in	mm	84.7	2150	84.7	2150	85.5	2170	85.5	2170	
2.06	Min.Ground Clearance(under mast)	H5	in	mm	4.5	115	4.5	115	5.3	135	5.3	135	
2.07	Overhead guard clearance(from seat face)	H6	in	in	40.6	1030	40.6	1030	40.6	1030	40.6	1030	
2.08	Tow Pin Height	H9	in	mm	10.8	275	10.8	275	11	280	11	280	
2.09	Backrest Height(From the surface of the fork)	H13	in	mm	39.4	1000	39.4	1000	48.3	1227	48.1	1222	
2.10	Overall Length(without Forks)	(L/L')	in	mm	101.7	2580	103.9	2638	108.3	2748	109	2766	
2.11	Wheelbase	L1	in	mm	65	1650	65	1650	67	1700	67	1700	
2.12	Front Overhang	L2	in	mm	18.6	473	18.6	473	18.8	478	19.5	496	
2.13	Rear Overhang	L3	in	mm	18	457	20.3	515	22.5	570	22.5	570	
2.14	Overall Width	W1	in	mm	45.3	1150	45.3	1150	48.3	1225	48.3	1225	
2.15	Tread(Front Tread/Rear Tread)	(W3/W2)	in	mm	38.2/38.2	970/970	38.2/38.2	970/970	39.4/38.2	1000/970	39.4/38.2	1000/970	
2.16	Lateral Fork Adjustment(Outside of Forks)	W5	in	mm	40.6/9.6	244/1030	40.6/9.6	244/1030	41.8/9.9	250/1060	41.8/9.9	250/1060	
2.17	Min.Turning Radius Outside	r	in	mm	85.5	2170	88.3	2240	94.6	2400	95.3	2420	
2.18	Min.Ground Clearance(wheelbase centre)	r'	in	mm	7.1	180	7.1	180	7.9	200	7.9	200	
2.19	Min. Right Angle Stacking Aside Width	Ra	in	mm	86.7	2200	89.8	2280	93.8	2380	94.6	2400	
2.20	Mast Tilt(fwd/bwd)	α/β	deg	deg	6/12	6/12	6/12	6/12	6/12	6/12	6/12	6/12	
2.21	Fork Dimensions (Length*Width*Thicknes)	L4*W*T	in	mm	36*4.8*1.6	920*122*40	42*4.8*1.6	1070*122*40	42*4.9*1.8	1070*125*45	42*4.9*2.0	1070*125*50	
Weights													
3.01	Standard Truck Weight Unload	lbs	kg	7540	3420	8377	3800	9634	4370	10582	4800		
3.02	Weight Distribution Rated Load(front/rear)	lbs	kg	10516/1433	4770/650	12081/1808	5480/820	14242/2006	6460/910	16468/1830	7470/830		
3.03	Weight Distribution Unload(front/rear)	lbs	kg	3527/4013	1600/1820	3439/4938	1560/2240	3770/5864	1710/2660	4145/6437	1880/2920		
Wheels&Tires													
4.01	Wheel Number(x=driven wheel),front/rear	2X/2											
4.02	Tire Type,front/rear	Pneumatic Tire											
4.03	Tire Size,front/rear	7.00-12-12PR/ 6.00-9-10PR			7.00-12-12PR/ 6.00-9-10PR			28x9-15-12PR/ 6.50-10-10PR			28x9-15-14PR/ 6.50-10-10PR		
4.04	Service Brake	Hydraulic-Foot Pedal											
4.05	Parking Brake	Mechanical-Hand Lever											



NOTE: Capacities shown are reference only. They are computed with mast in vertical position based on 48 inch cube load configuration with center of gravity at true center of cube and standard forks. Longer forks and unusually wide loads can reduce capacity. Consult dealer for any questions about capacities.

Performance																	
Model	CPCD20				CPCD25				CPCD30				CPCD35				
Max.Drawbar pull(Load/unload)	lbf	KN	4280/2740	19/12	4688/2740	21/12	4275/3263	19/14.5	4725/3263	21/14.5	3375/2363	15/10.5	3375/2363	15/10.5	3825/3038	17/13.5	
Max.Gradeability(Load/Unload)	%	%	39/27		36/22		27/21		21/20		33/26		31/22		31/22		
Max.Traveling Speed(Load/Unload)	mph	Km/h	10.6/11.2	17/18	9.9/10.6	16/17	10.6/11.2	17/18	11.2/11.8	18/19	11.2/11.8	18/19	11.2/11.8	18/19	11.8/11.8	19/19	
Lifting Speed(Load/unload)	ft/min	mm/s	110/118	560/600	110/118	560/600	98.5/108	500/550	78.8/82.7	400/420	98.5/108	500/550	98.5/108	500/550	94.6/106	480/540	
Lowing Speed(Load/unload)	ft/min	mm/s	88.7/98.5	450/500	88.7/98.5	450/500	88.7/108	450/550	69/78.8	350/400	88.7/98.5	450/500	88.7/98.5	450/500	88.7/108	450/550	
Engine and Gearbox																	
Engine Manufacturer/Model	KUBOTA V2403																
Rated Power	hp/rpm	Kw/rpm	57.9/2400	43.2//2400	57.9/2400	43.2//2400	57.9/2400	43.2//2400	57.9/2400	43.2//2400	Mitsubishi 4G64(P5I)						
Rated Torque	lb.ft/rpm	Nm/rpm	146.4/1600	198.5/1600	146.4/1600	198.5/1600	146.4/1600	198.5/1600	146.4/1600	198.5/1600	GAS:64.3/2700 LPG:61.6/2700 GAS:125.5/2400 LPG:124/1600	GAS:48/2700 LPG:46/2700 GAS:170/2400 LPG:168/1600	GAS:64.3/2700 LPG:61.6/2700 GAS:125.5/2400 LPG:124/1600	GAS:48/2700 LPG:46/2700 GAS:170/2400 LPG:168/1600	GAS:64.3/2700 LPG:61.6/2700 GAS:125.5/2400 LPG:124/1600	GAS:48/2700 LPG:46/2700 GAS:170/2400 LPG:168/1600	
Cyl. Number-bore*stroke	4-87x102.4																
Displacement	L	L	2.434												4-86.5x100		
Engine Type	Diesel																
Emission	Euro IIIB / EPA Tier 4																
Battery Capacity	V/Ah	V/Ah	12/80												2.351		
Fuel Tank Capacity	L	L	12/80												12/60		
Number of speed(fwd/bwd)	60																
1-1 Power Shift T/M / 2-2 Manual Shift T/M																	

Heli Dash Display



Heli's display is conveniently placed on the dash so operator can monitor truck's working condition, fault codes and other vital information

Standard Configuration

Horn	Transmission oil filter	Overhead guard rain cover	2 forward headlights
Control valve	Cable type parking brake	Standard forks	Hydraulic oil dipstick
Oil pressure alarm	Metric tool case	Hydraulic oil filter	Overhead guard
Hydraulic-powered steering	Complete front-rear light package	Wide view mast	Torque converter oil dipstick
Load backrest	Back-up alarm	Pneumatic tires (standard)	Combined instrument panel
Rear view mirror	Adjustable steering column	Tow pin	

Optional

Cab	Solid tires	Wind shield w/wiper	Torque converter oil temperature meter
Amber flashing light	Non-marking tires	Fire extinguisher	Customer colors
Suspension seat	Wide carriage	Rear working light	Attachments



检测 CNAS L7096